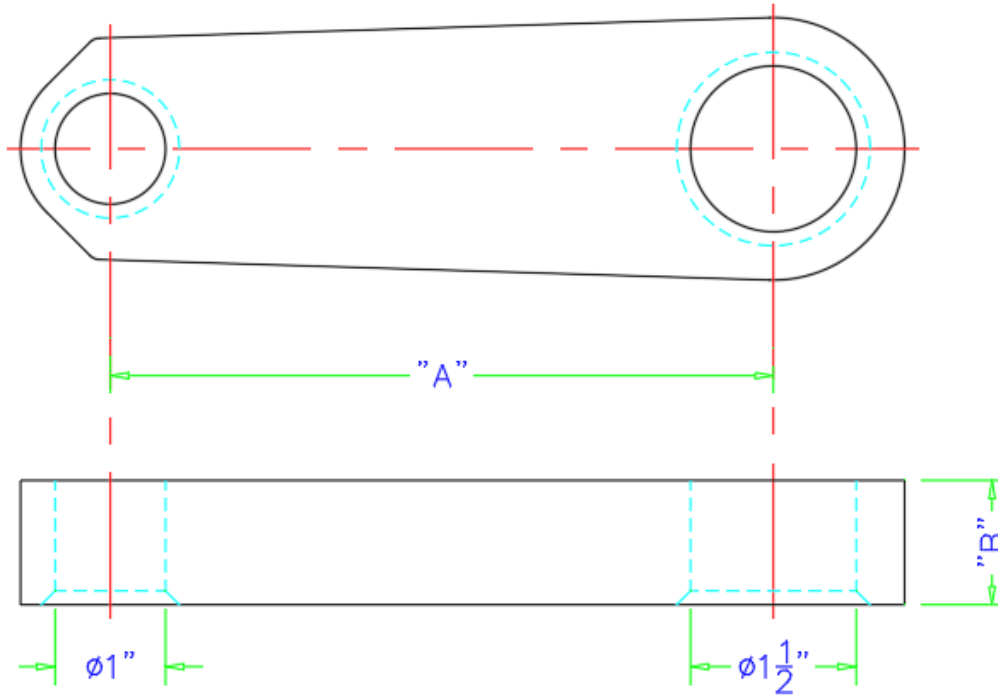


Plug Door Top Crank



Dim "A" : _____

Dim "B" : _____

Door Number : _____

Customer/Location:	Contact:
Telephone:	Email:

Please email form to: info@jaxonusa.com

Please reach out if you have questions or need any assistance.

PHONE/FAX (866) 379-2009

Mineral Ridge, Ohio

WWW.JAXONUSA.COM

