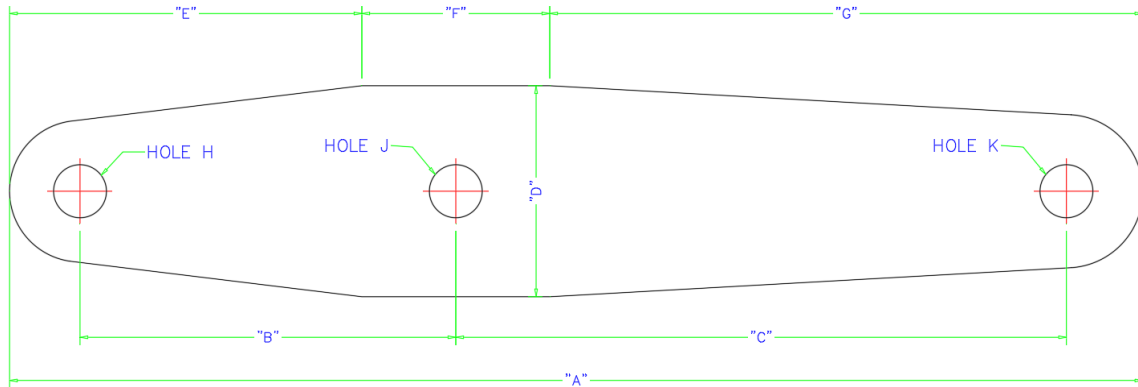


1" Brake Levers



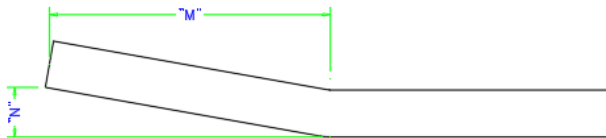
Dim "A" : _____ Dim "B" : _____ Dim "C": _____

Dim "D" : _____ Dim "E" : _____ Dim "F": _____

Dim "G" : _____

Hole H : _____ Hole J : _____ Hole K: _____

Single Offset



Dim "M" : _____

Dim "N": _____

Double Offset



Dim "M": _____

Dim "N": _____

Dim "P" : _____

Customer/Location:	Contact:
Telephone:	Email:

PHONE/FAX (866) 379-2009

Mineral Ridge, Ohio

WWW.JAXONUSA.COM

